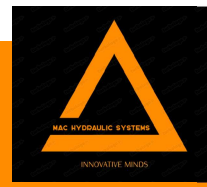
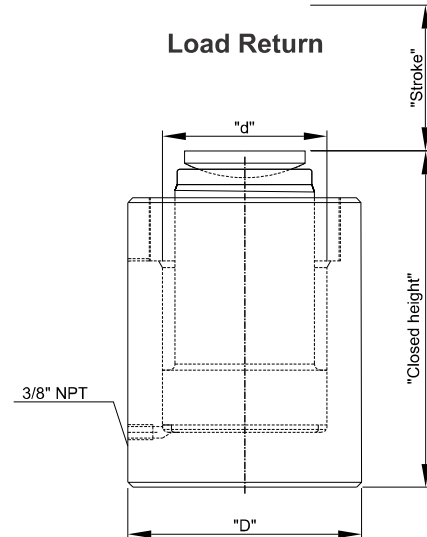


MLPS



MAC
HYDRAULIC SYSTEMS

High ton, Single acting, Plain ram, Load return hydraulic jack



Features:

- Base mounting and collar threads are optional.
- HardChrome plating to avoid corrosion score mark.
- Used in vertical and horizontal directions.
- Maintenance, Pile Testing, Ship Ind., Box Pushing and etc.
- Maximum working pressure @700 BAR.

Model	Capacity	Stroke	Close Height	Cylinder OD (D)	Cylinder ID (d)	Ram OD	Weight (Approx)
	ton	mm	mm	mm	mm	mm	kg
MLPS	600	100	390	490	330	275	365
MLPS	600	150	440	490	330	275	412
MLPS	800	100	425	505	380	310	537
MLPS	800	150	475	505	380	310	600
MLPS	1000	100	460	560	425	350	729
MLPS	1000	150	510	560	425	350	808
MLPS	1500	100	545	705	525	450	1357
MLPS	1500	150	595	705	525	450	1488
MLPS	2000	100	615	810	610	525	2031
MLPS	2000	150	665	810	610	525	2204

Note:-

- Higher capacity customized solutions on request.
- Plating or painting on demand.